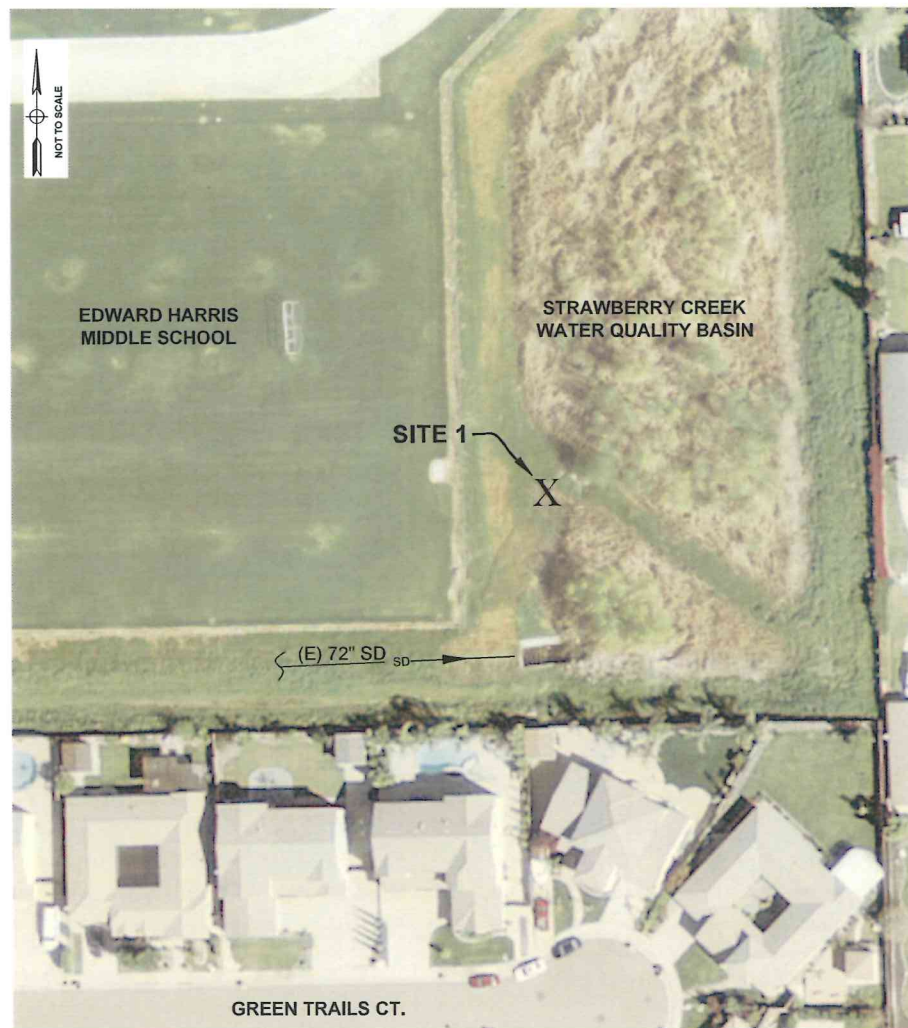
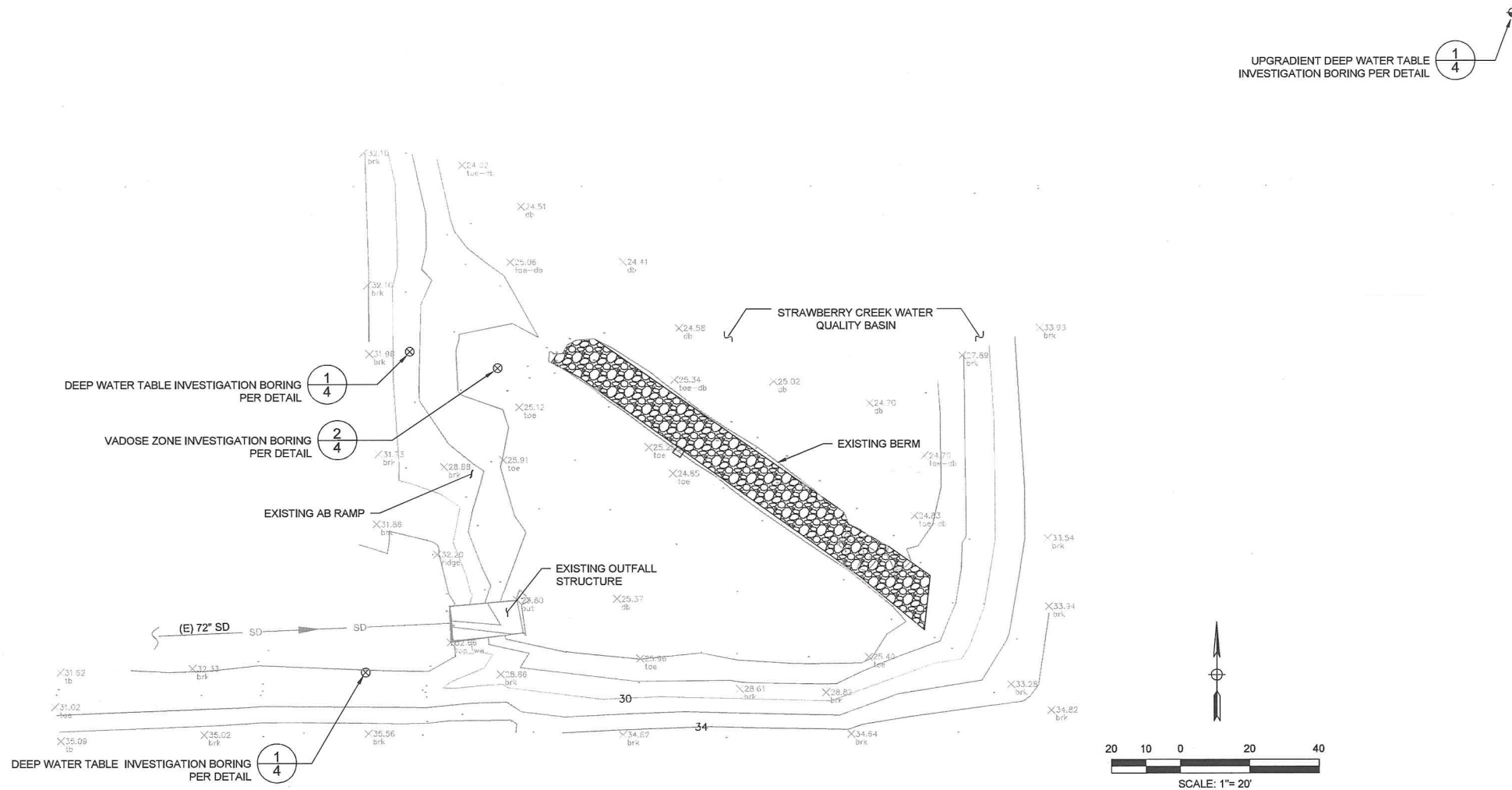


SITE 1 - VICINITY MAP
STRAWBERRY CREEK WATER QUALITY BASIN

- NOTES:**
1. CONTRACTOR TO VERIFY EXISTING UTILITIES PRIOR TO COMMENCEMENT OF WORK.
 2. INVESTIGATION BORING LOCATIONS TO BE CONFIRMED BY DESIGN ENGINEER PRIOR TO CONSTRUCTION.



SITE 1 - AERIAL VIEW
STRAWBERRY CREEK WATER QUALITY BASIN



UPGRADIENT DEEP WATER TABLE INVESTIGATION BORING PER DETAIL (1/4)

100% SUBMITTAL
SEPTEMBER 2013

SITE 1 - LAYOUT PLAN
STRAWBERRY CREEK WATER QUALITY BASIN



INVESTIGATION BORINGS / MONITORING WELLS
IMPROVEMENTS PROJECT
SITE 1: STRAWBERRY CREEK WATER QUALITY BASIN
VICINITY MAP, AERIAL VIEW & SITE LAYOUT PLAN

DATE: SEPTEMBER 2013
SCALE: HORIZ: 1"= 20'
VERT: N/A
PROJECT No.: WDR019

SHEET: 2 OF 5

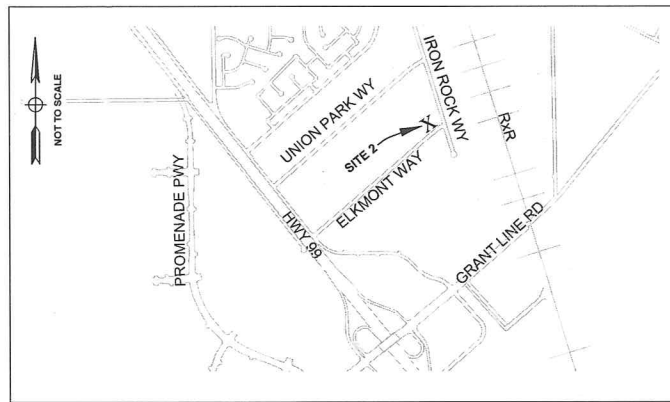
Aerial: 105FH39055_Xref: Straw Base Exploded, COEG_Composite_Street_Map
C:\Users\abarnall\Documents\EG Files\EG Project\WDR019_Dry Well Low Impact\WDR019_Layout\02 Site 1_AerialView\022013 10:17 AM

NO.	REVISION	BY	DATE

LUHDORFF & SCALMANINI
CONSULTING ENGINEERS
500 FIRST STREET
WOODLAND, CALIFORNIA
PHONE: (530) 661-0109

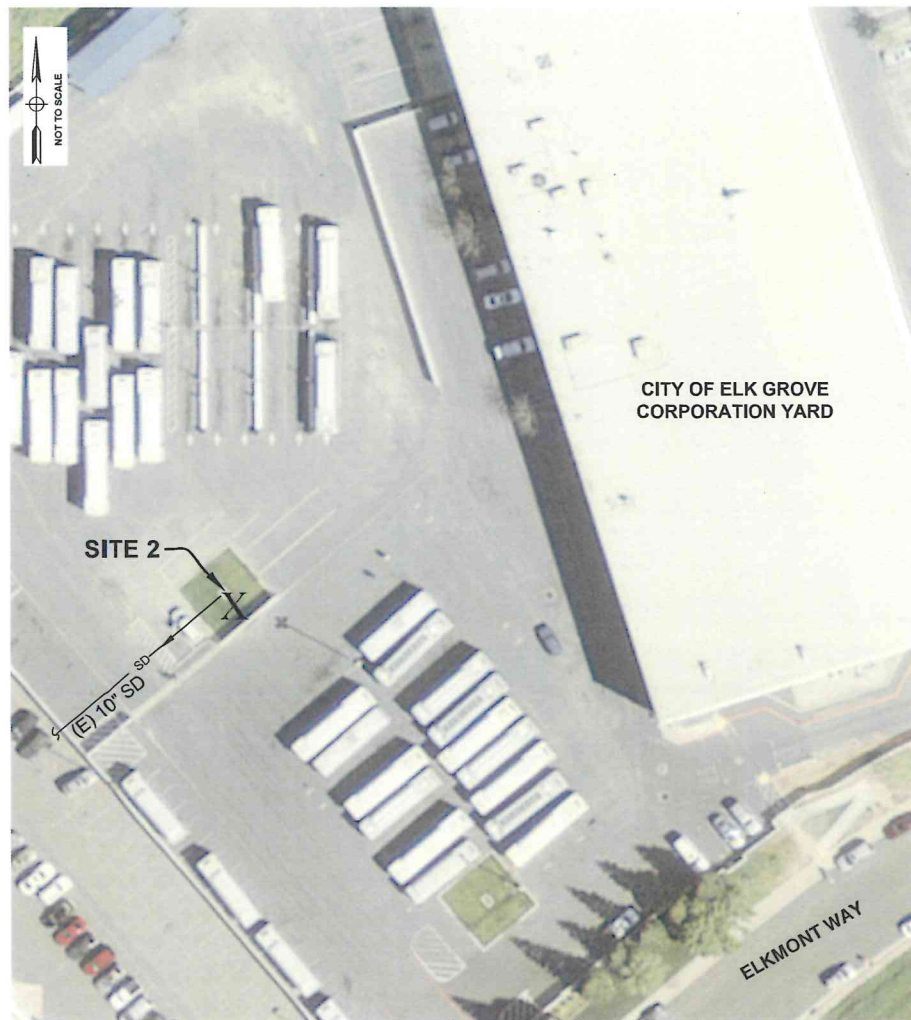
DESIGNED: .
DRAWN: .
CHECKED: .

FOR REDUCED PLANS ORIGINAL SCALE IS IN INCHES

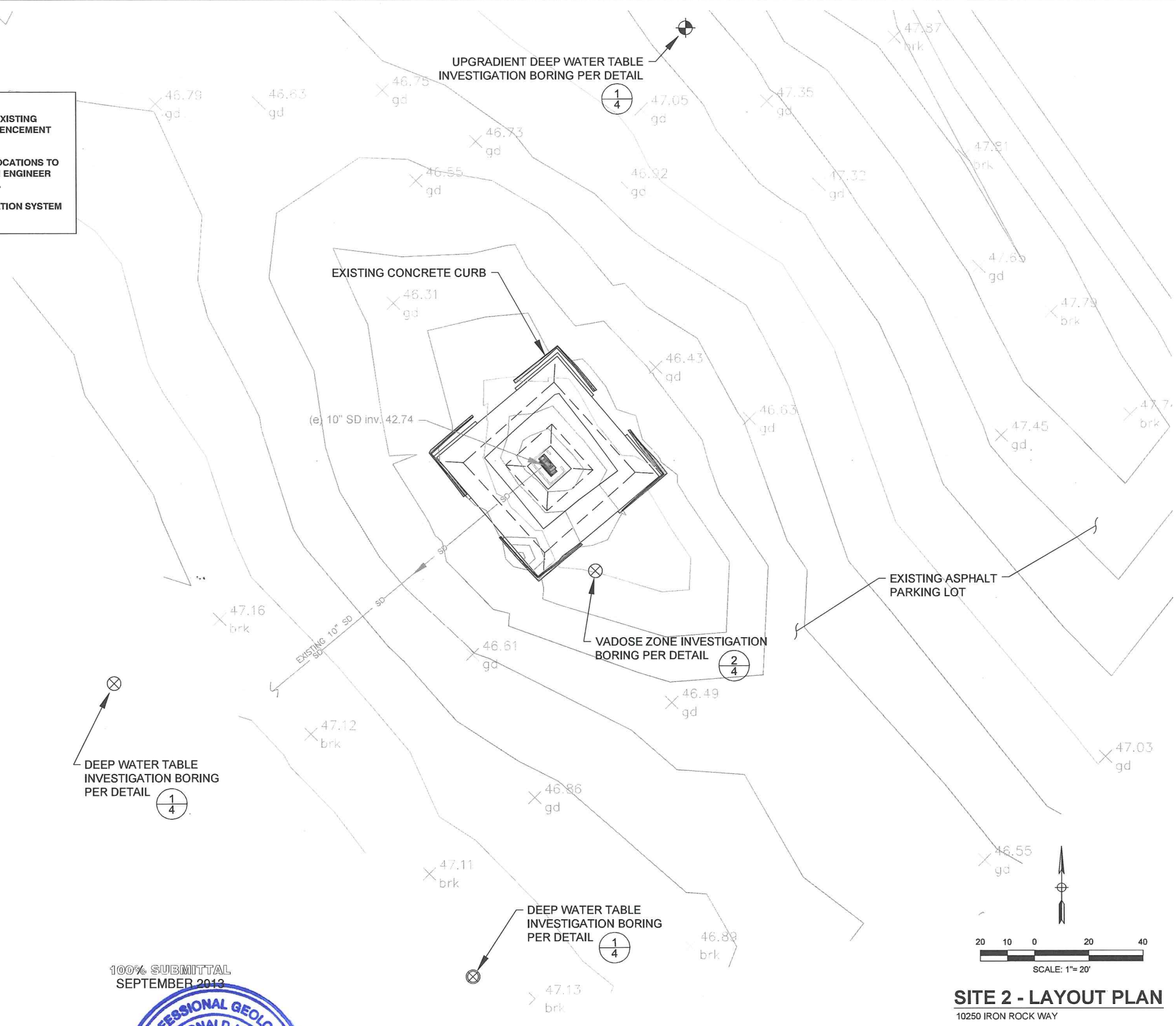


SITE 2 - VICINITY MAP
10250 IRON ROCK WAY

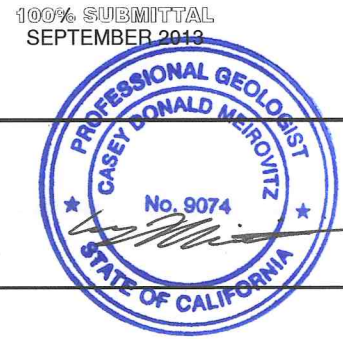
- NOTES:**
1. CONTRACTOR TO VERIFY EXISTING UTILITIES PRIOR TO COMMENCEMENT OF WORK.
 2. INVESTIGATION BORING LOCATIONS TO BE CONFIRMED BY DESIGN ENGINEER PRIOR TO CONSTRUCTION.
 3. PROTECT EXISTING IRRIGATION SYSTEM IN PLACE.



SITE 2 - AERIAL VIEW
10250 IRON ROCK WAY



SITE 2 - LAYOUT PLAN
10250 IRON ROCK WAY



100% SUBMITTAL
SEPTEMBER 2013

Aerial: 105FH420495_Xref: c:\ref: COEG Composite_Street_Map
C:\Users\sherman\Documents\EG Files\EG Projects\Active Projects\WDR019_Dry Well Low Impact\WDR019_Investigation Wells.dwg [Layout: 03 SITE 2] [ASession: 9/24/2013 10:12 AM]

NO.	REVISION	BY	DATE

LS LUHDORFF & SCALMANINI
CONSULTING ENGINEERS
500 FIRST STREET
WOODLAND, CALIFORNIA
PHONE: (530) 661-0109

DESIGNED: .
DRAWN: .
CHECKED: .

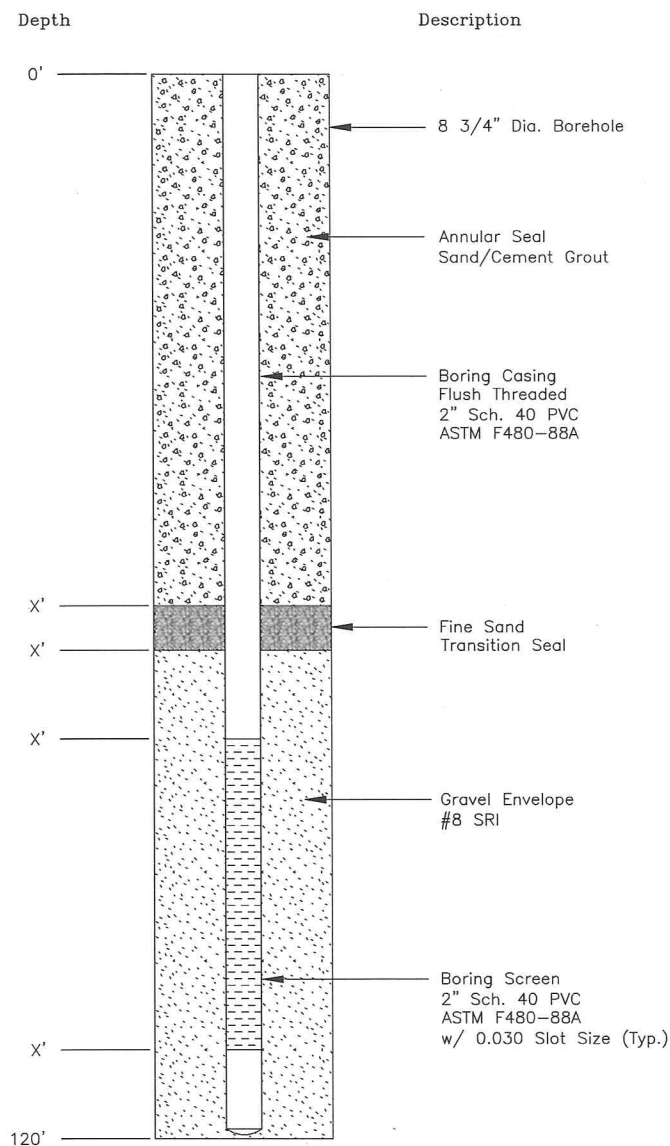
INVESTIGATION BORINGS / MONITORING WELLS
IMPROVEMENTS PROJECT
SITE 2: CITY OF ELK GROVE CORPORATION YARD
VICINITY MAP, AERIAL VIEW & SITE LAYOUT PLAN

DATE: SEPTEMBER 2013
SCALE: HORIZ: 1"=20'
VERT: N/A
PROJECT No.: WDR019

SHEET: **3**
OF **5**

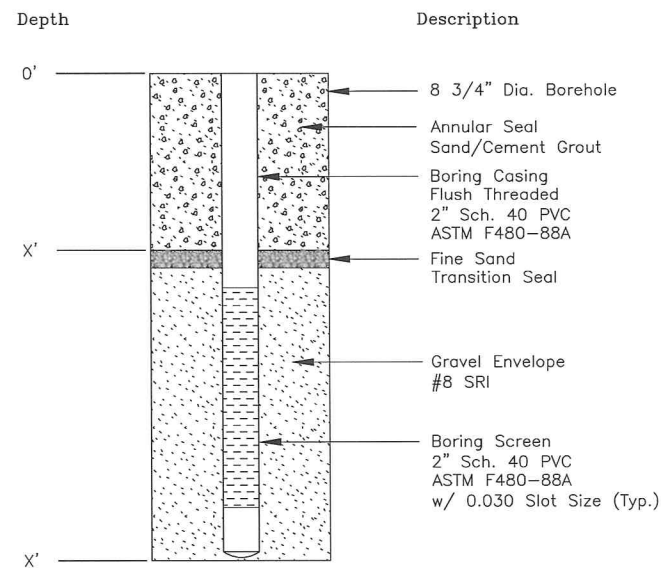
FOR REDUCED PLANS ORIGINAL SCALE IS IN INCHES

Xref: 13-05-29 Band-Grantline Base; 13-05-29 Band-Grantline ROW; CCEG_Composite_Street_Map; WDR019_cbec -- STRAW; cbec -- CORP2; Straw Base Exploded
 C:\Users\maburke\Documents\CEG Files\EG Projects\WDR019_Dry Well Investigation\WDR019_Investigation Well Log Layout.dwg Layout: 04 Item Profile / Admin/10/2013 10:12 AM



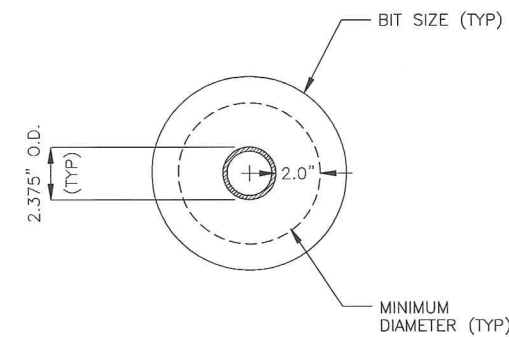
UPGRADIENT/ DEEP WATER TABLE INVESTIGATION BORING

1
—
NOT TO SCALE



VADOSE ZONE INVESTIGATION BORING

2
—
NOT TO SCALE



INVESTIGATION BORING PLAN VIEW

3
—
NOT TO SCALE

INVESTIGATION BORING DIMENSIONS

MIN. DIAMETER	6.375"
BIT SIZE	8-3/4"

100% SUBMITTAL
SEPTEMBER 2013

NO.	REVISION	BY	DATE


LUHDORFF & SCALMANINI
 CONSULTING ENGINEERS
 500 FIRST STREET
 WOODLAND, CALIFORNIA
 PHONE: (530) 661-0109

DESIGNED: .
 DRAWN: .
 CHECKED: .

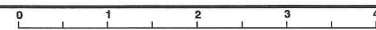


INVESTIGATION BORINGS / MONITORING WELLS
 IMPROVEMENTS PROJECT
**INVESTIGATION BORINGS
 PROFILES**

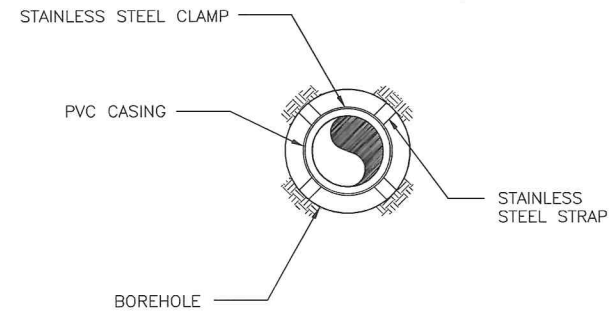
DATE:
 SEPTEMBER 2013
 SCALE:
 HORIZ: N/A
 VERT: N/A
 PROJECT No.:
 WDR019

SHEET:
 4
 OF
 5

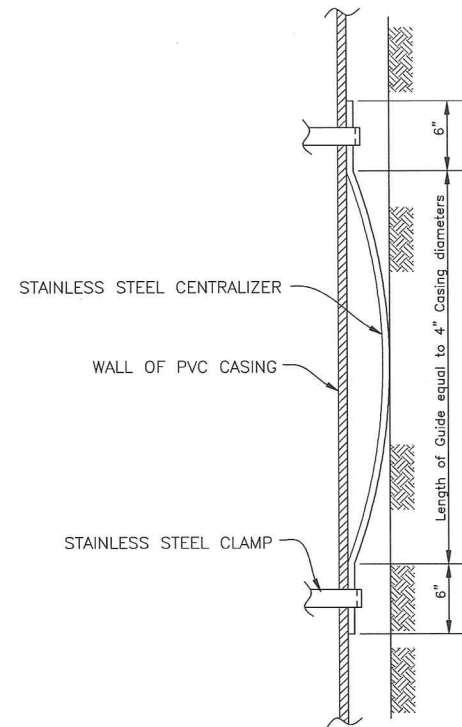
FOR REDUCED PLANS ORIGINAL SCALE IS IN INCHES



Xrefs: 13-05-29 Bond-Grantline Base; 13-05-29 Bond-Grantline ROW; CDEG_Composite_Street_Map; WDR019_cbec - STRAW; cbec - CORP2; Straw Base Exploded
 C:\Users\shahw\Documents\ES&EG\Projects\WDR019_Dry Well Low Impact\WDR019_Investigation Well.dwg Layout 05 Base Details /Adminwell/2013 1012 AM

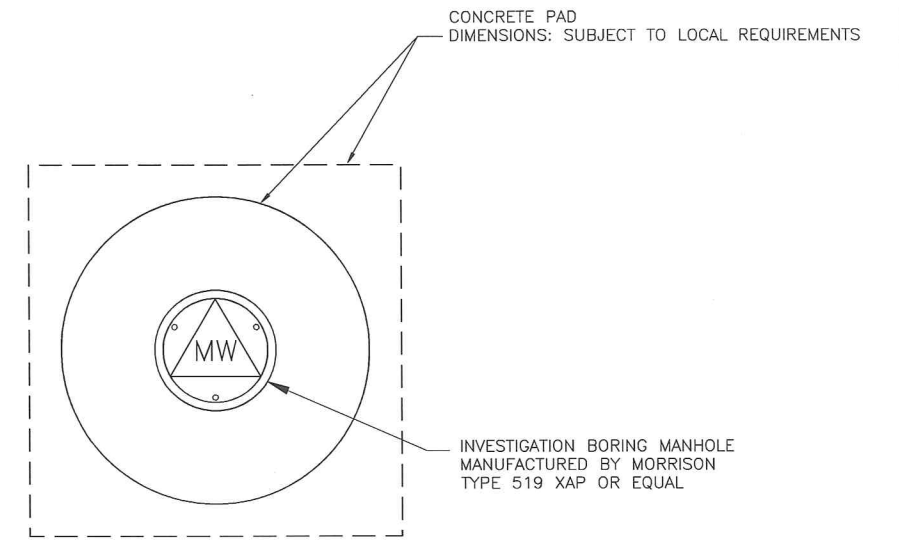


PLAN

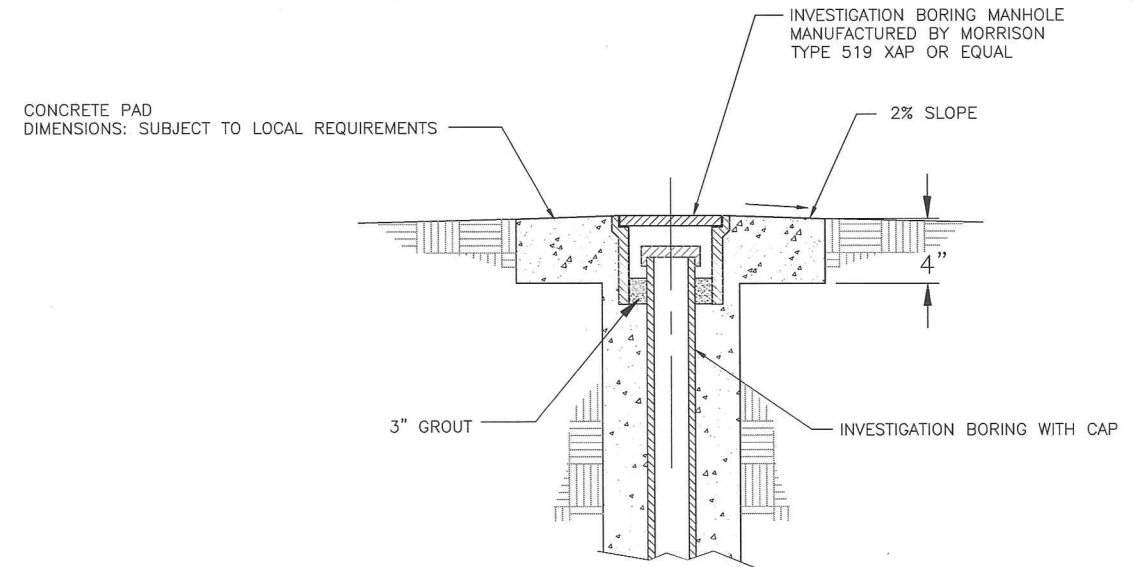


PROFILE

1
CENTRALIZER DETAIL
NOT TO SCALE



PLAN



FLUSH-MOUNT PROFILE

2
INVESTIGATION BORING SURFACE
COMPLETION DETAILS
NOT TO SCALE

100% SUBMITTAL
SEPTEMBER 2013



NO.	REVISION	BY	DATE


LUHDORFF & SCALMANINI
 CONSULTING ENGINEERS
 500 FIRST STREET
 WOODLAND, CALIFORNIA
 PHONE: (530) 661-0109

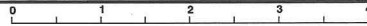
DESIGNED: .
 DRAWN: .
 CHECKED: .

INVESTIGATION BORINGS / MONITORING WELLS
 IMPROVEMENTS PROJECT
INVESTIGATION BORINGS
STANDARD CONSTRUCTION DETAILS

DATE: SEPTEMBER 2013
 SCALE:
 HORIZ: N/A
 VERT: N/A
 PROJECT No.: WDR019

SHEET: **5**
 OF
5

FOR REDUCED PLANS ORIGINAL SCALE IS IN INCHES



WDR019 - INVESTIGATION WELLS / MONITORING WELLS