

Phone: 916.683.7111  
Fax: 916.691.3168

Web: [www.elkgrovecity.org](http://www.elkgrovecity.org)

8401 Laguna Palms Way  
Elk Grove, California 95758



## Modification or Addition to Improvement Standards and Details

Modification Number: 20071231-2

Effective Date of Change: 12/31/2007

### **Modification:**

- Modification to L28 and L29:
  - Added a note to specify roadway/driveway width for single pipe gate and double pipe gate.

Amended specifications are attached. Projects with preconstruction conference prior to effective date not subject to modification.

### **Effect of Modification:**

- This modification will clarify the usage of the single gate (for roadway/driveway up to 24' wide max.)
  - Any roadway/driveway over 24' wide will have double gates.

Request for Modification Initiated By:

2/1/08  
Date

Modification Reviewed for Conformity and  
Consistency to Standards:

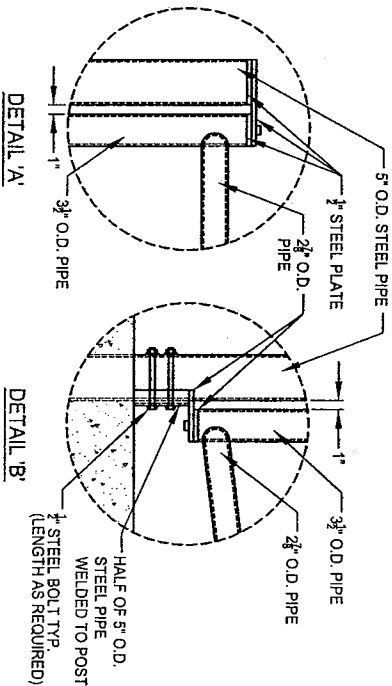
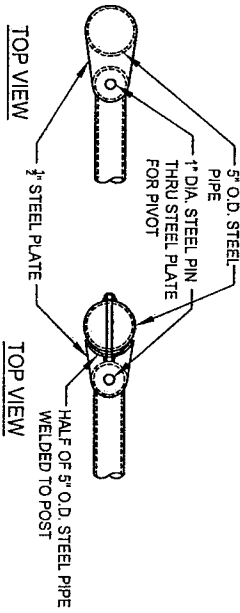
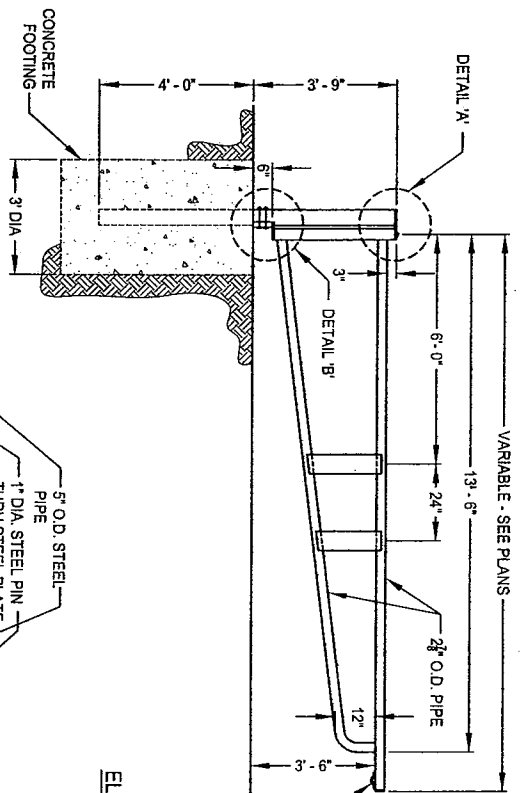
City Engineer

3/11/08  
Date

Modification to Improvement Standards Approved:

Director of Public Works

3/11/08  
Date



**ELEVATION**

**NOTES:**

1. DOUBLE PIPE GATES SHALL BE USED FOR ROADWAYS OR DRIVEWAYS OVER 24' WIDE OPENING.
2. ALL PIPES SHALL BE BLACK STEEL PIPES. OUTSIDE DIAMETER (O.D.) AND WELDED.
3. ALL STEEL TO BE PAINTED WITH 2 COATS OF PRIMER AND INSIGNIA YELLOW.
4. PROVIDE TWO (2) 5" O.D. PIPES AND INSTALL WITH CONCRETE FOOTING (18" X 24" D) FOR TIE-DOWN WHEN GATE IS OPENED AND CLOSED.

DATE: 12/31/2007		NOT TO SCALE	
REVISION	BY	APPROVED	DATE
1	DC	DY	12/31/2007

CITY OF ELK GROVE - PUBLIC WORKS

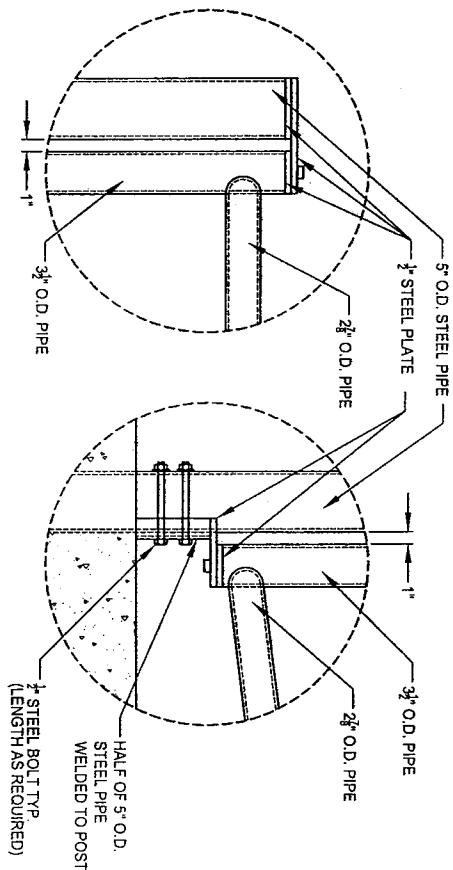
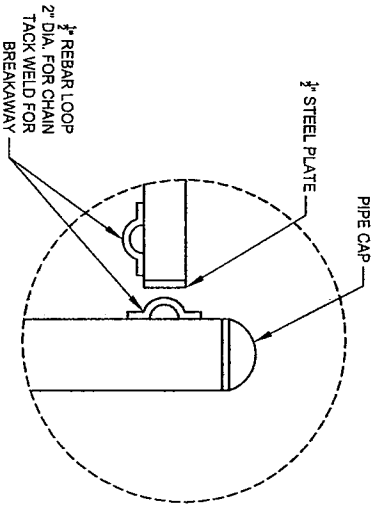
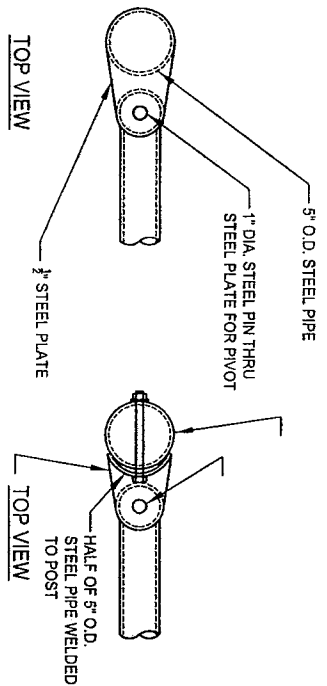
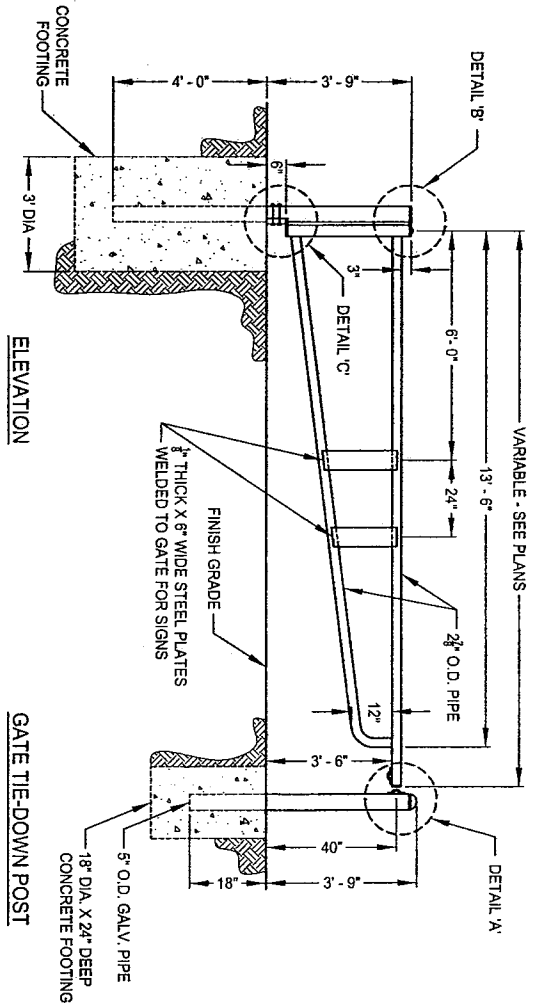
**DOUBLE PIPE GATE**



APPROVED BY: *[Signature]*  
CITY ENGINEER

DRAWING NUMBER

**L-28**



**NOTES:**

1. SINGLE PIPE GATE SHALL BE USED FOR ROADWAYS OR DRIVEWAYS UP TO 24' WIDE MAXIMUM OPENING.
2. ALL PIPES SHALL BE BLACK STEEL PIPES, OUTSIDE DIAMETER (O.D.) AND WELDED.
3. ALL STEEL TO BE PAINTED WITH 2 COATS OF PRIMER AND INSIGNIA YELLOW.
4. PROVIDE TWO (2) 5" O.D. PIPES AND INSTALL WITH CONCRETE FOOTING (18" X 24" D) FOR TIE-DOWN WHEN GATE IS OPENED AND CLOSED.

DATE:		NOT TO SCALE	
09/13/2007			
REVISION	BY	APPROVED	DATE
1	DC	DY	12/10/2007

CITY OF ELK GROVE - PUBLIC WORKS

**SINGLE PIPE GATE**

APPROVED BY:  
  
 CITY ENGINEER

DRAWING NUMBER

**L-29**

