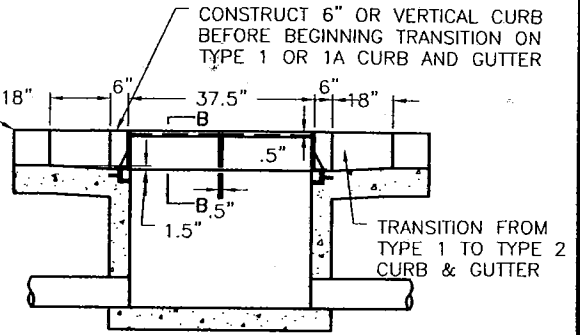
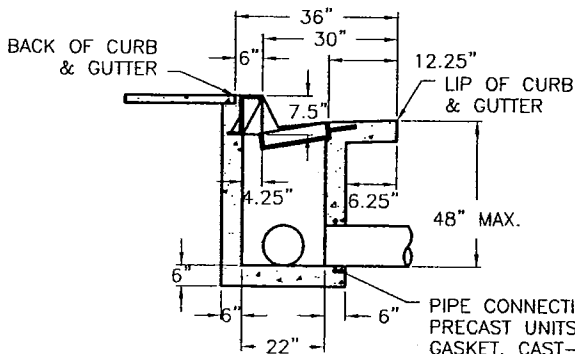


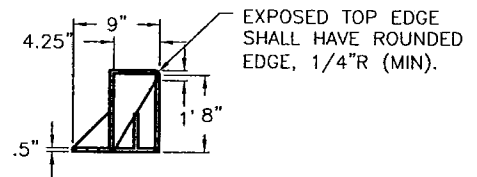
TYPE 1 OR 1A CURB AND GUTTER



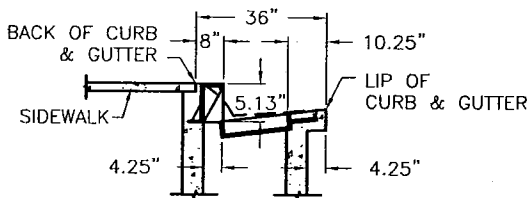
SECTION B-B



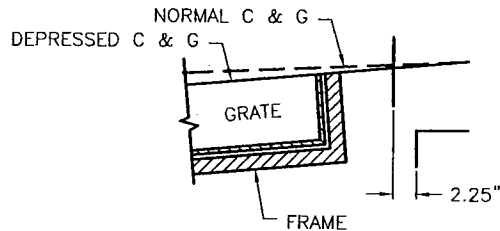
SECTION A-A  
TYPE 2-VERTICAL C&G



SECTION C-C  
OPEN-BACK HOOD



SECTION A-A  
TYPE 1 & 1A - ROLLED C&G



CURB AND GUTTER  
WITH FRAME DETAIL

NOTES

1. STANDARD DEPRESSION FOR INLET IS 1-1/2" AND LIP OF GUTTER MUST BE SET BACK 3" FROM GUTTER FLOW LINE.
2. FRAME AND GRATE SHALL CONFORM TO DRAWINGS 9-14 AND 9-15.
3. OPEN-BACK HOOD SHALL BE H-20 RATED.
4. EXPOSED EDGES SHALL HAVE A 1/8" R (MINIMUM).
5. AN EDGING TOOL SHALL BE USED ON ALL EDGES WHERE THE CONCRETE SIDEWALK AND CURB MEET THE TOP OF THE HOOD.
6. ALL EXPOSED PARTS TO BE ASPHALT COATED, OR HOT DIP GALVANIZED PER ASTM A123, AFTER FABRICATION.

DATE: 01/17/2007		NOT TO SCALE	
REVISION	BY	APPROVED	DATE

CITY OF ELK GROVE - PUBLIC WORKS

APPROVED BY:

CITY ENGINEER

**DROP INLET  
TYPE B**

DRAWING NUMBER



**SD - 12**