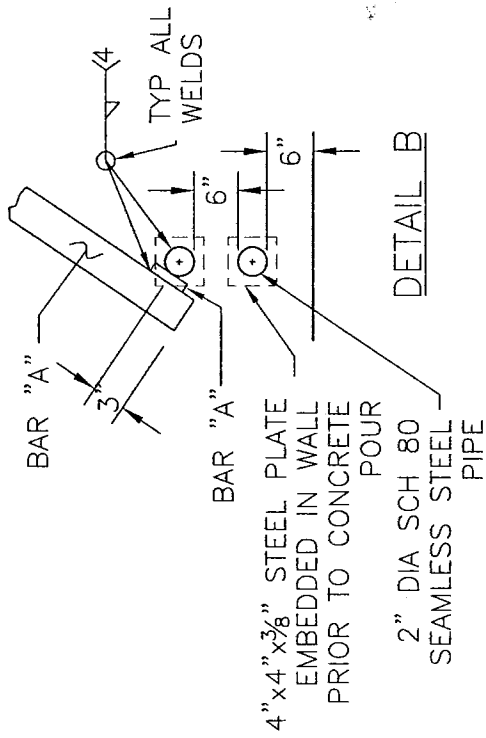
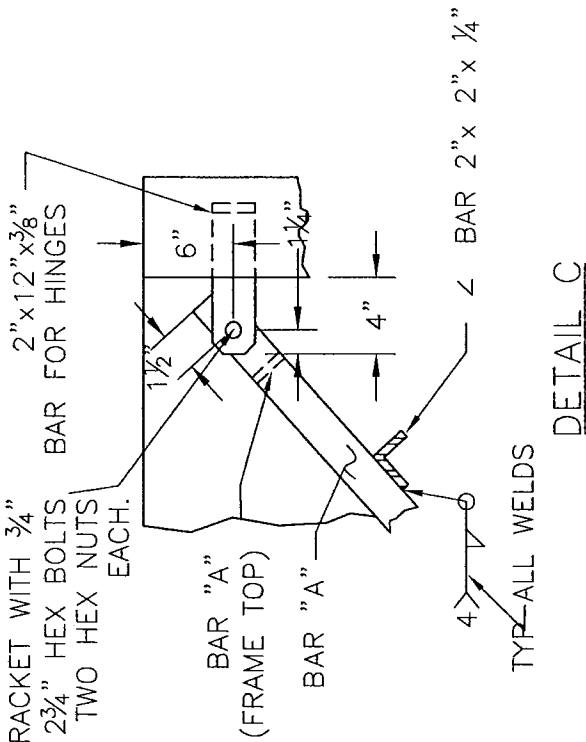


DRILL 1 3/16" HOLE, CONNECT TRASH RACK TO BRACKET WITH 3/4" BY 2 3/4" HEX BOLTS WITH TWO HEX NUTS EACH.



NOTES:

- ① SEE FIGURE 9-26H FOR PIPE HEADWALL DETAILS.
- ② MATERIAL TO CONFORM TO ASTM DESIGNATION A-36. GALVANIZE ALL EXPOSED FERROUS PARTS AFTER FABRICATION.
- ③ ALL FILLET WELDS TO BE 3/16".
- ④ ALL STEEL SHALL CONFORM TO SECTION 75 OF THE STATE SPECIFICATIONS AND ASTM A36, A575 AND A576.

DATE:	NOT TO SCALE
01/17/2007	
REVISION BY	APPROVED DATE

CITY OF ELK GROVE · PUBLIC WORKS

TRASH RACK DETAILS
(SHEET 4 OF 4)

APPROVED BY: _____
CITY ENGINEER

DRAWING NUMBER
SD - 28.4

