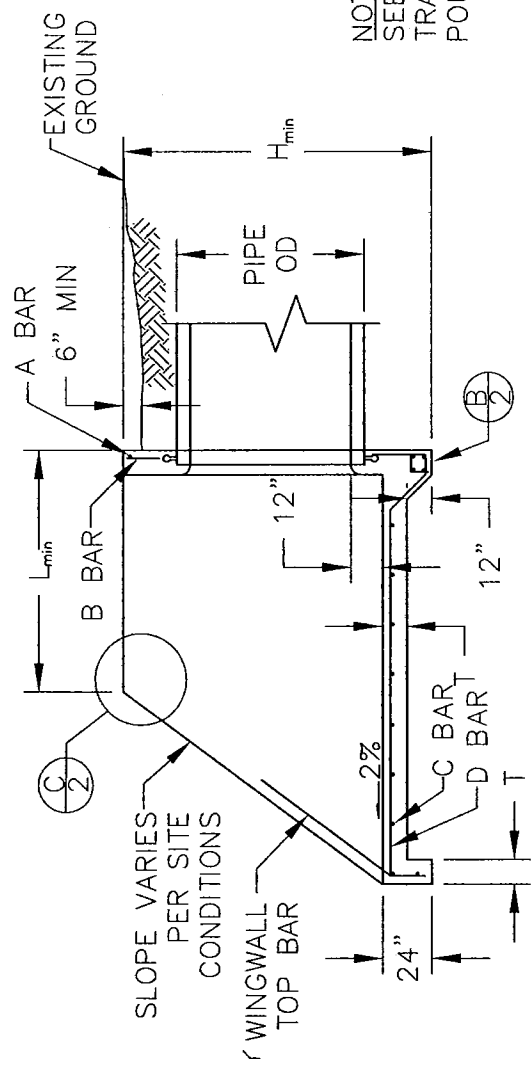
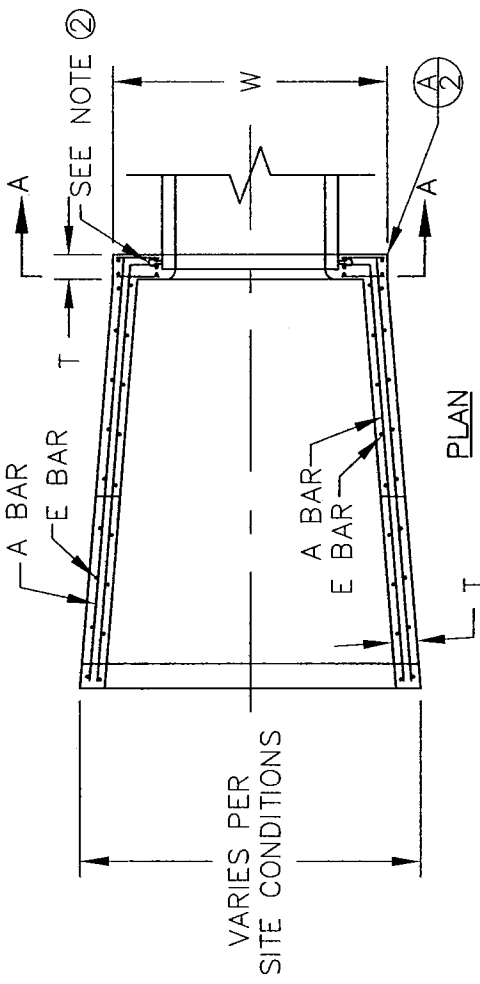


NOTE
SEE DWG SD-28 FOR EMBEDMENT OF
TRASH RACK COMPONENTS PRIOR TO
POURING CONCRETE



SIDE ELEVATION

DATE:	NOT TO SCALE
01/17/2007	
REVISION BY	APPROVED
	DATE

CITY OF ELK GROVE - PUBLIC WORKS

**INLET PIPE HEADWALL
WINGWALL STRUCTURE**

(SHEET 1 OF 2)

APPROVED BY:

CITY ENGINEER

DRAWING NUMBER

SD - 29.1

