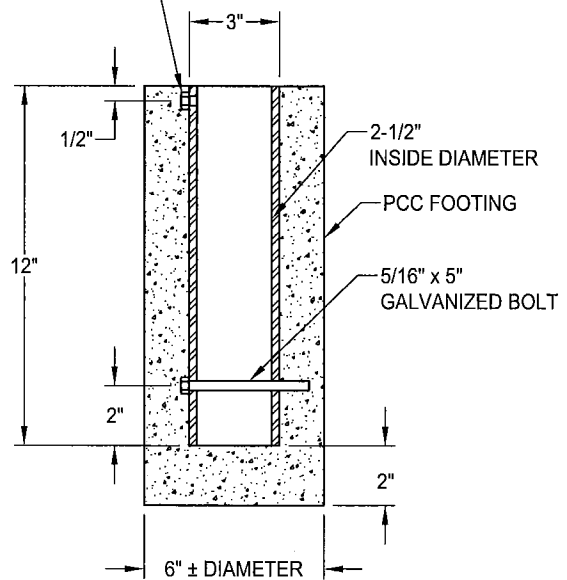
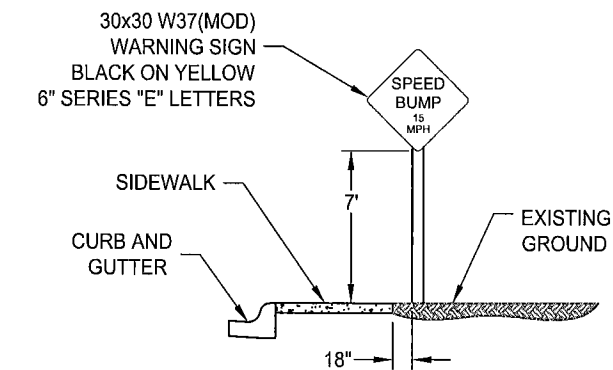


5/16" x 1" GALVANIZED BOLT  
TO FACE THE STREET



**BOLLARD FOUNDATION DETAIL**  
NOT TO SCALE



**W37(MOD) ADVANCE SIGNING**

DATE: 01/17/2007		NOT TO SCALE	
REVISION	BY	APPROVED	DATE

CITY OF ELK GROVE - PUBLIC WORKS

**BOLLARD & SPEED BUMP SIGN  
DETAIL**

APPROVED BY:

\_\_\_\_\_  
CITY ENGINEER

DRAWING NUMBER  
**T - 2A**

