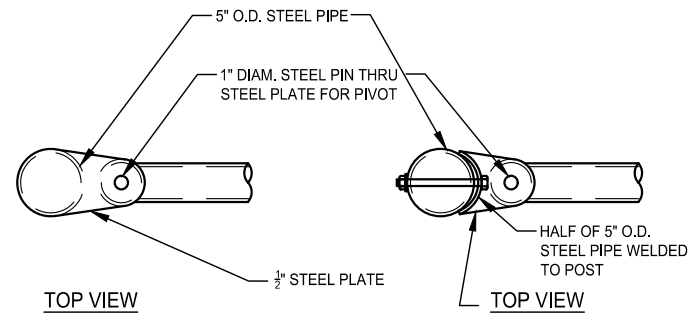
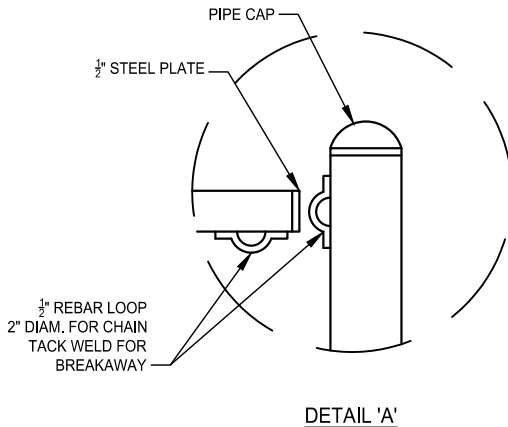


ELEVATION

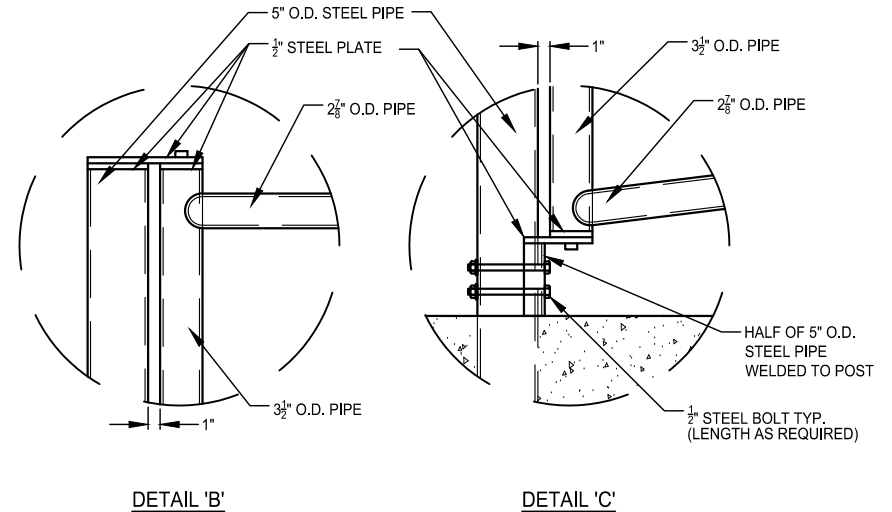


TOP VIEW

TOP VIEW



DETAIL 'A'



DETAIL 'B'

DETAIL 'C'

NOTES:

1. SINGLE PIPE GATE SHALL BE USED FOR ROADWAYS OR DRIVEWAYS UP TO 24' WIDE MAXIMUM OPENING.
2. ALL PIPES SHALL BE BLACK STEEL PIPES, OUTSIDE DIAMETER (O.D.) AND WELDED.
3. ALL STEEL TO BE PAINTED WITH 2 COATS OF PRIMER AND INSIGNIA YELLOW.
4. PROVIDE TWO (2) 5" O.D. PIPES AND INSTALL WITH CONCRETE FOOTING (18" X 24" D) FOR TIE-DOWN WHEN GATE IS OPENED AND CLOSED.

DATE: 09/22/2007		NOT TO SCALE	
REVISION	BY	APPROVED	DATE

CITY OF ELK GROVE - PUBLIC WORKS

SINGLE PIPE GATE

APPROVED BY:
Paul Muddoch
CITY ENGINEER
10/24/2018
DATE



DRAWING NUMBER

L - 29