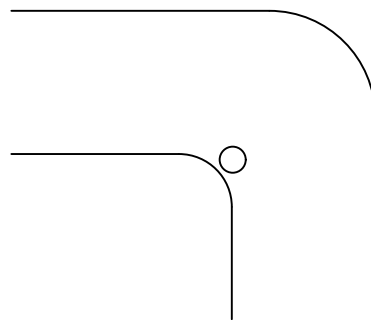
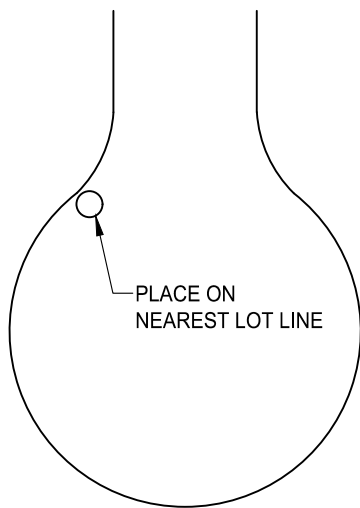
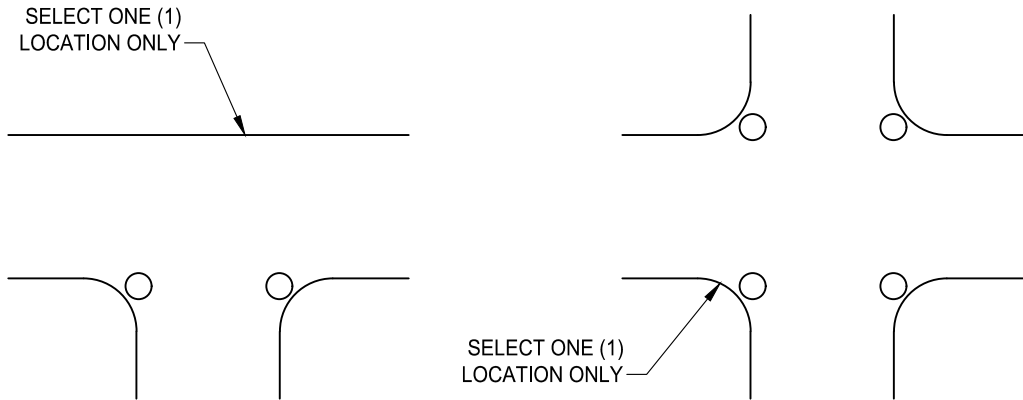


**STREET LIGHT PLACEMENT
ON MAJOR COLLECTOR,
COLLECTOR, AND RESIDENTIAL STREETS
(ALL STREETS OTHER THAN 118', 96' AND 72' STREETS)**



NOTE:

IN ACCORDANCE WITH STREET CLASSIFICATIONS, ALL ARE SERIES 'A' OR SERIES 'B' STREET LIGHTS WITH ANSI TYPE III LIGHT DISTRIBUTIONS PATTERN. SEE STANDARD DRAWINGS SL-2 AND SL-24

DATE: 09/22/2017		NOT TO SCALE	
REVISION	BY	APPROVED	DATE

CITY OF ELK GROVE - PUBLIC WORKS

**COMMON TYPE TYPICAL LOCATIONS
COLLECTOR AND RESIDENTIAL STREETS
(SERIES 'A' / SERIES 'B')**

APPROVED BY:
Robert Muddoch
CITY ENGINEER

10/24/2018
DATE

DRAWING NUMBER
SL - 26

