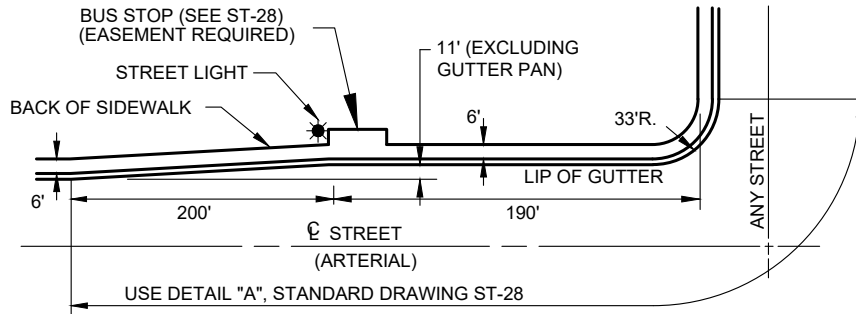
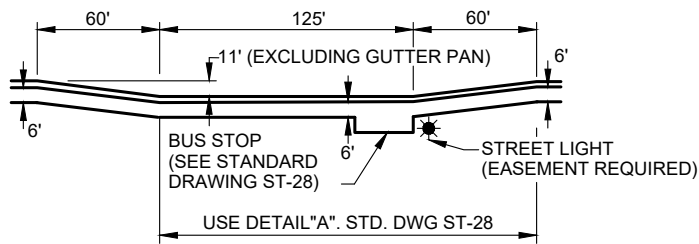


BUS TURNOUT ON THOROUGHFARE STREETS



BUS TURNOUT ON ARTERIAL STREETS



TYPICAL MID-BLOCK BUS TURNOUT

DATE: 09/22/2017		NOT TO SCALE	
REVISION	BY	APPROVED	DATE

CITY OF ELK GROVE - PUBLIC WORKS

APPROVED BY:
Robert M. Muddoch
CITY ENGINEER 10/24/2018
DATE

BUS TURNOUTS



DRAWING NUMBER

ST - 27