

Phone: 916.683.7111
Fax: 916.627.4400

www.elkgrovecity.org

PUBLIC WORKS
8401 Laguna Palms Way
Elk Grove, California 95758



Standards Update Transmittal

Reference Number: 2024-07
Standards: Standard Drawing, ST-40

Update:

1. Modification to Standard Drawing:
 - a. ST-40 STREET SURVEY MONUMENT, change make and model of monument box and cover.

Effect of Update:

1. Replaces the Phoenix Iron Works P-2001 monument box and cover for South Bay Foundry B 1201 monument frame and cover.

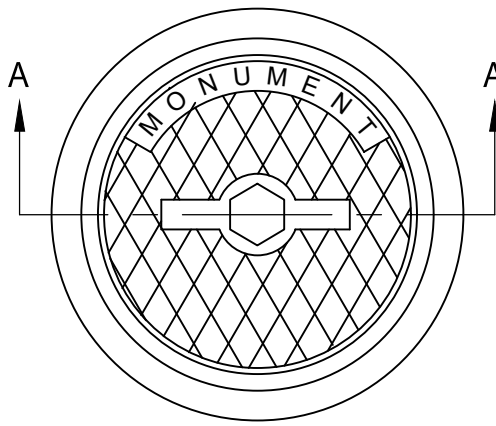
Request for Update Initiated By: Jocelyn Correa, City Surveyor 8/10/23

Update Reviewed for Conformity and Consistency to Standards:

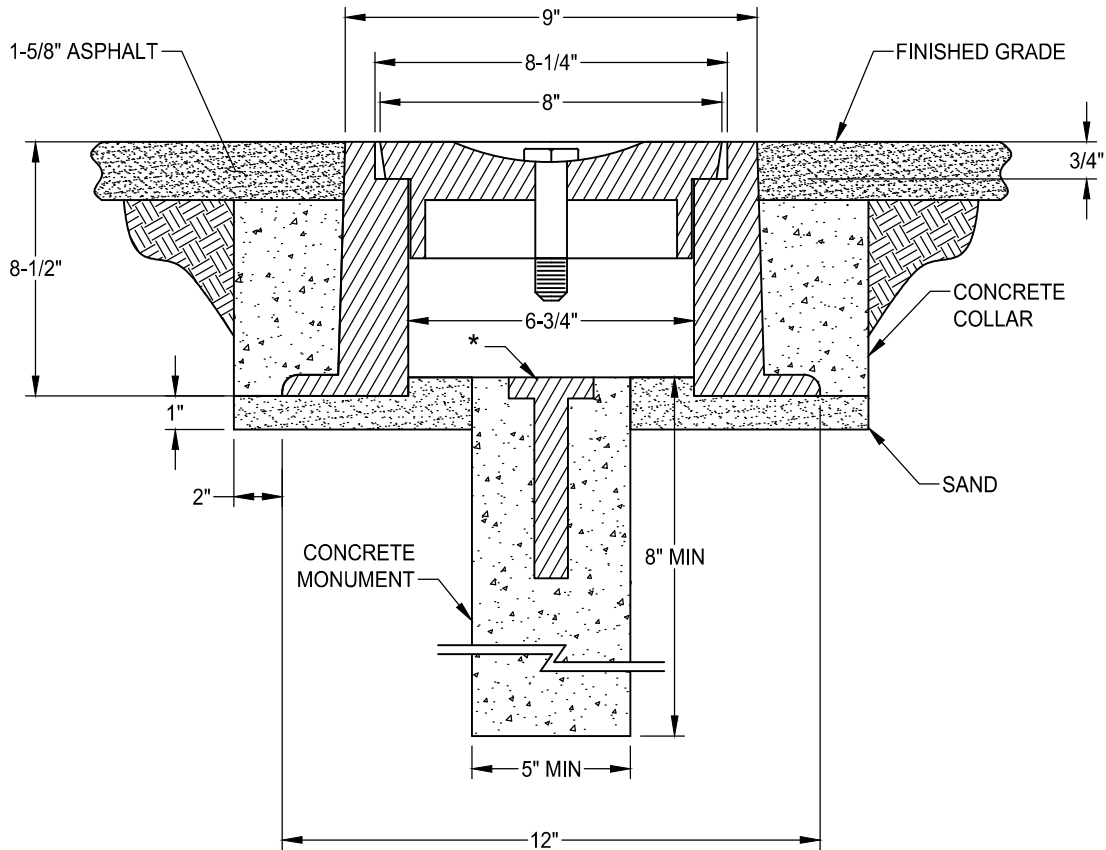
Shoaib Ahrary
Shoaib Ahrary, PE, ESD Manager 4/2/2024 | 3:54 PM PDT
Date

Update to Standards Approved:

Jeffrey R. Werner
Jeffrey R. Werner, PE, City Engineer 4/19/2024 | 11:57 AM PDT
Date



SET WEIGHT	
Frame	45 Lbs
Lid	13 Lbs
Total	58 Lbs



SECTION A-A

NOTES:

1. MONUMENT BOX AND COVER SHALL BE SOUTH BAY FOUNDRY B1201-R2 OR APPROVED EQUAL.
2. ALL MATERIALS USED IN MANUFACTURING SHALL CONFORM TO ASTM 48, CLASS 35B.
3. FRAME AND COVER BEARING SURFACES SHALL BE MACHINED TO ASSURE CLOSE, QUIET FIT.
4. FRAME AND COVER SHALL EXCEED H-20 WHEEL LOADING.
5. CASTINGS SHALL BE DIPPED IN BLACK BITUMINOUS PAINT.
6. (*) MONUMENT MARKER SHALL BE SOLID BRASS WITH 2-1/2" DIAM TOP AND 3/4" x 2-1/2" LTZ 813-403 OR APPROVED EQUAL SET IN FRESH P.C.C. TOP OF MONUMENT SHALL BE APPROXIMATELY 3.5" BELOW STREET GRADE.
7. MONUMENT MAY BE FORMED BY METAL SLEEVE, WAXED CARDBOARD OR BY DRILLING THRU HOLE MADE FOR MONUMENT BOX. IF THERE IS AN OVERCUT THEN THE OVERCUT SHALL BE FILLED WITH CONCRETE TO THE SAND LEVEL.

DATE 6/21/2021		NOT TO SCALE	
REVISION	BY	APPROVED	DATE
01	SJB	SMA	3/28/24

CITY OF ELK GROVE - PUBLIC WORKS

APPROVED BY:
Jeffrey R. Warner 4/19/2024
CITY ENGINEER DATE

STREET SURVEY MONUMENT



DRAWING NUMBER

ST - 40