

Phone: 916.683.7111  
Fax: 916.691.5168

Web: [www.elkgrovecity.org](http://www.elkgrovecity.org)

8401 Laguna Palms Way  
Elk Grove, California 95758



## Modification or Addition to Improvement Standards and Details

Modification Number: 20080904-1

Effective Date of Change: September 9, 2008

### **Modification:**

1. Modified Standard Drawing #SL34
  - Delete "No substitute will be considered. Contractor shall purchase exactly as specified and install."
  - Add "Approved Alternative...."

Amended specifications are attached. Projects with preconstruction conference prior to effective date not subject to modification.

### **Effect of Modification:**

- This modification will allow another manufacturer to provide street light poles for the Zone 2 area.

Request for Modification Initiated By:

9-3-09

Date

Modification Reviewed for Conformity and Consistency to Standards:

9/4/08

City Engineer

Date

Modification to Improvement Standards Approved:

9/4/08

Director of Public Works

Date

**APPLICATION**  
PEDESTRIAN TRAILS AND RESIDENTIAL STREETS

**SPECIFICATIONS**

**POST DESCRIPTION**

THE LIGHTING POST SHALL BE ALL ALUMINUM, ONE-PIECE CONSTRUCTION, WITH A CLASSIC FLUTED BASE DESIGN. THE SHAFT SHALL BE Ø4" SMOOTH. THE POST SHALL BE SHIPPED WITH BLACK POWDER COAT FINISH.

**MATERIALS**

THE BASE SHALL BE HEAVY WALL, CAST ALUMINUM PRODUCED FROM CERTIFIED ASTM 356.1 INGOT PER ASTM B-179-95A OR ASTM B26-96. THE STRAIGHT SHAFTS SHALL BE EXTRUDED FROM ALUMINUM, ASTM 6061 ALLOY, HEAT TREATED TO A T6 TEMPER. ALL HARDWARE SHALL BE TAMPER RESISTANT STAINLESS STEEL. ANCHOR BOLTS TO BE COMPLETELY HOT DIP GALVANIZED.

**CONSTRUCTION**

THE SHAFT SHALL BE DOUBLE WELDED TO THE BASE CASTING AND SHIPPED AS ONE PIECE FOR MAXIMUM STRUCTURAL INTEGRITY. THE SHAFT SHALL BE CIRCUMFERENTIALLY WELDED INSIDE THE BASE CASTING AT THE TOP OF THE ACCESS DOOR, AND EXTERNALLY WHERE THE SHAFT EXITS THE BASE. ALL EXPOSED WELDS BELOW 8" SHALL BE GROUND SMOOTH. ALL WELDING SHALL BE PER ANSIAWS D1.2-90. ALL WELDERS SHALL BE CERTIFIED PER SECTION 5 OF ANSIAWS D1.2-90.

**DIMENSIONS**

THE POST SHALL BE 14' IN HEIGHT WITH AN 11-1/2" DIAMETER BASE. THE SHAFT DIAMETER SHALL BE 4". AT THE TOP OF THE POST, AN INTEGRAL 3" O.D. TENON WITH A TRANSITIONAL DONUT SHALL BE PROVIDED FOR LUMINAIRE MOUNTING.

**INSTALLATION**

THE POST SHALL BE PROVIDED WITH FOUR, HOT DIP GALVANIZED L-TYPE ANCHOR BOLTS TO BE INSTALLED ON AN 7" DIAMETER BOLT CIRCLE. A DOOR SHALL BE PROVIDED IN THE BASE FOR ANCHORAGE AND WIRING ACCESS. A GROUNDING SCREW (5/8") SHALL BE PROVIDED INSIDE THE BASE OPPOSITE THE DOOR.

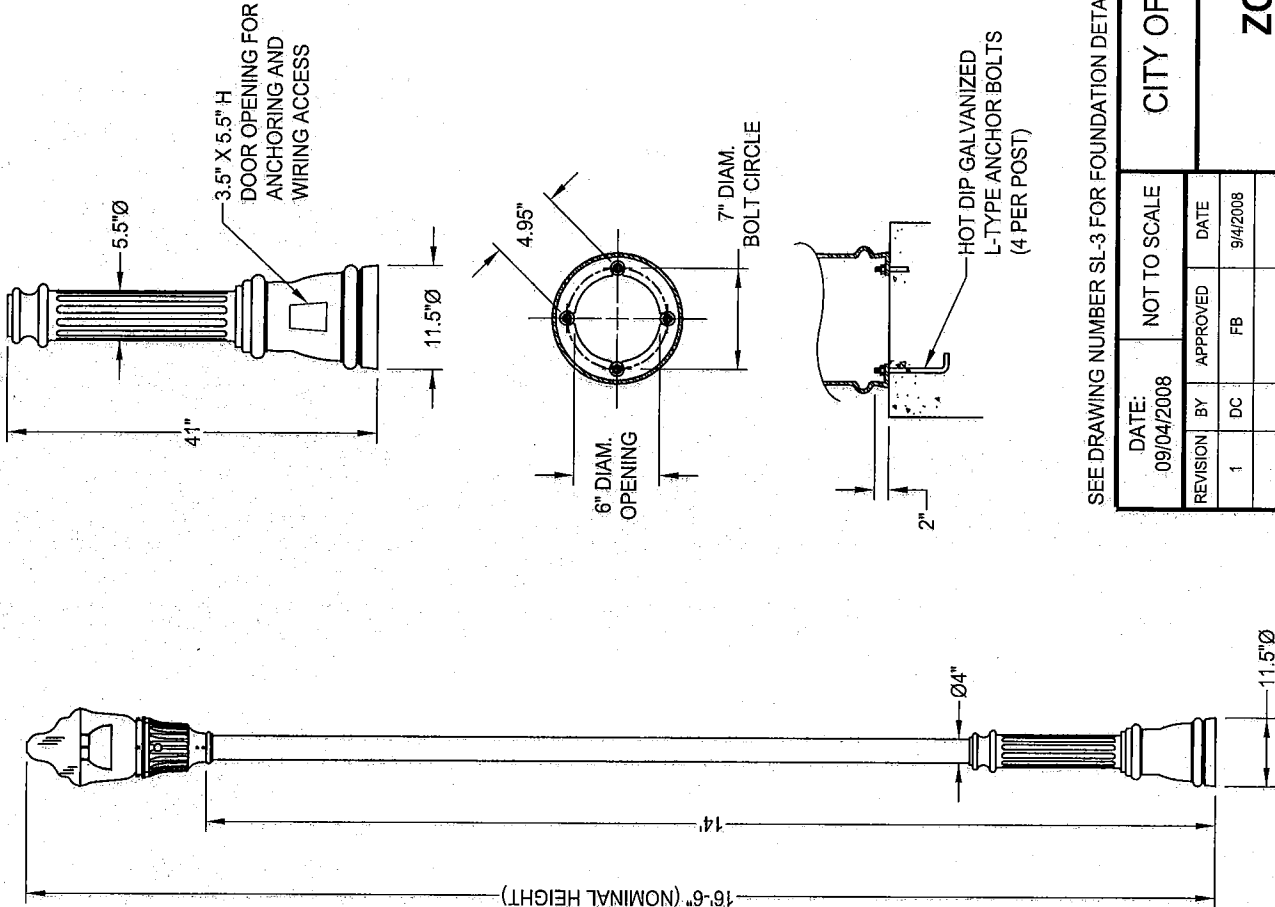
HALOPHANE MODEL #  
CH14S4/12-CABK - GUV100HPMTB7NNU H

**APPROVED ALTERNATIVE:**

THE CITY OF ELK GROVE MAY ACCEPT THE FOLLOWING AS AN ALTERNATIVE:

POLE: UNION METAL: DESIGN NO. P99-B360-Y1  
 FIXTURE: HADCO G63KLNZAFRG100SE  
 FINISH: BLACK POWDER COAT

SEE DRAWING NUMBER SL-3 FOR FOUNDATION DETAIL



DATE:	NOT TO SCALE		
09/04/2008			
REVISION	BY	APPROVED	DATE
1	DC	FB	9/4/2008

**CITY OF ELK GROVE - PUBLIC WORKS**

**ZONE 2 ELECTROLIER**  
(SERIES 'B')

APPROVED BY: *[Signature]*  
CITY ENGINEER

DRAWING NUMBER  
**SL - 34**

