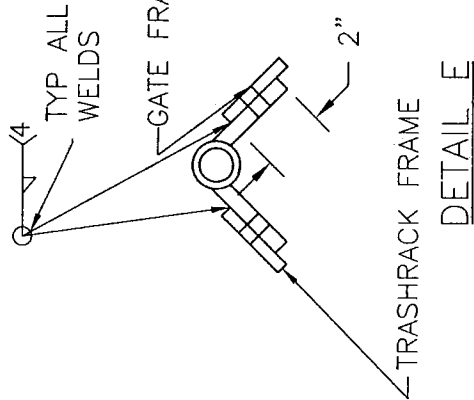


PIPE DIA (IN)	PIPE OD (IN)	QUANTITY* BAR "A"	BAR "A" SIZE (IN)	H (IN)	W (IN)	L (IN)	S (IN)
42	51	15	3/8x2 1/2	67	72	60	47-3/4
48	58	17	3/8x2 1/2	74	84	70	47-3/4
54	65	21	3/8x2 1/2	81	108	72	47-3/4
60	72	23	3/8x2 1/2	88	120	80	47-3/4
72	86	27	3/8x2 1/2	102	144	96	47-3/4

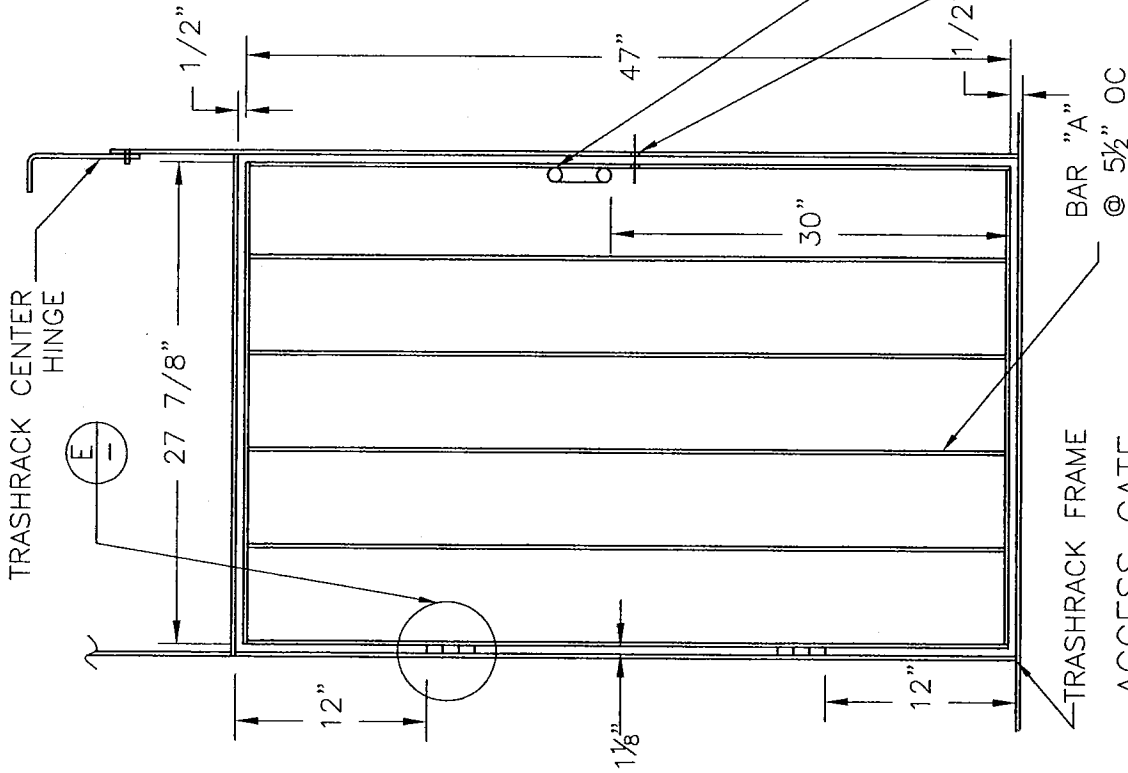
\*INCLUDES OUTSIDE FRAME



1/2" ROLLED STEEL HANDLE WELDED TO GATE FRAME  
 DRILL 1/2" DIA HOLE FOR HEAVY DUTY PAD LOCK

NOTES:

- SEE FIGURE 9-26H FOR PIPE HEADWALL DETAILS.
- MATERIAL TO CONFORM TO ASTM DESIGNATION A-36. GALVANIZE ALL EXPOSED FERROUS PARTS AFTER FABRICATION.
- ALL FILLET WELDS TO BE 3/16".
- ALL STEEL SHALL CONFORM TO SECTION 75 OF THE STATE SPECIFICATIONS AND ASTM A36, A575 AND A576.
- GATE HINGES TO BE COATED TO RESIST CORROSION.



TRASHRACK FRAME ACCESS GATE  
 DETAIL

DATE:	NOT TO SCALE
01/17/2007	
REVISION BY	APPROVED DATE

CITY OF ELK GROVE - PUBLIC WORKS

APPROVED BY:

CITY ENGINEER

TRASH RACK  
 42" PIPE AND LARGER

(SHEET 3 OF 4)



DRAWING NUMBER

SD - 28.3