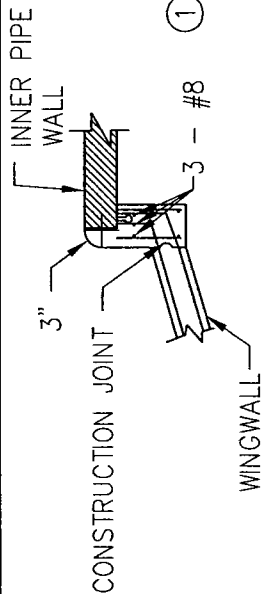


HEADWALL DIMENSIONS

PIPE DIA.	PIPE OD	W	H <sub>min</sub>	T	L <sub>min</sub>
24"	30"	4'-6"	4'-8"	8"	2'-9"
27"	33.5"	4'-6"	4'-10"	8"	3'-0"
30"	37"	4'-6"	5'-3"	8"	3'-3"
33"	40.5"	4'-6"	5'-9"	8"	3'-6"
36"	44"	5'-6"	5'-9"	8"	3'-9"
42"	51"	6'-6"	6'-6"	8"	4'-3"
48"	58"	7'-6"	7'-5"	10"	5'-3"
54"	65"	9'-6"	7'-7"	10"	5'-9"
60"	72"	10'-6"	8'-3"	10"	6'-0"
72"	86"	12'-6"	9'-8"	10"	7'-3"

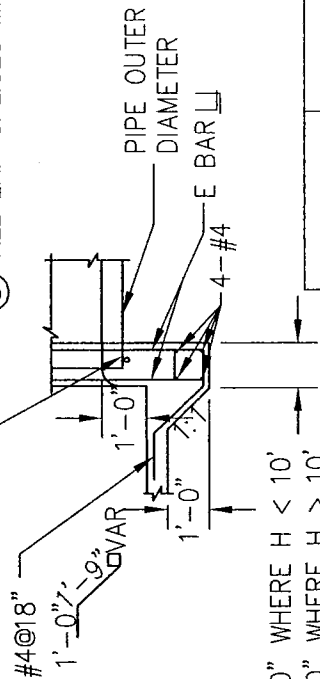
NOTES

- ① PLACE #5 REBAR ON DIAGONALS @ 4" FROM PIPE OD.
- ② PIPE CONNECTIONS SHALL CONFORM TO ASTM C-923. UNITS SHALL INCLUDE A WATER STOP.
- ③ CHAMFER ALL EXPOSED EDGES 3/4".
- ④ ALL STEEL MINIMUM 2" FROM CONCRETE EDGES.
- ⑤ ALL LAP SPLICES MINIMUM 12".



DETAIL A

1/2" EXPANSION JOINT FILLER, WHERE "H" MAX >10'-0"

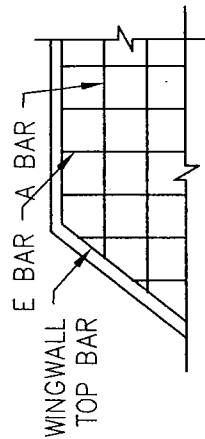


DETAIL B

DIM IS 1'-0" WHERE H < 10'  
DIM IS 2'-0" WHERE H > 10'

REINFORCING STEEL DIMENSIONS AND DATA

	A BAR	B BAR	C BAR	D BAR	E BAR	WINGWALL TOP BAR
H ≤ 7'	#4@12" OC	#4@12" OC	#4@12" OC	#4@12" OC	#4@12" OC	#4
7' < H ≤ 8'	#4@12" OC EF	#4@12" OC EF	#4@12" OC EF	#4@12" OC EF	#4@12" OC EF	#4
8' < H ≤ 10'	#5@12" OC EF	#5@6" OC EF	#5@12" OC EF	#5@12" OC EF	#5@12" OC EF	#5



DETAIL C

DATE:	NOT TO SCALE
01/17/2007	
REVISION BY	APPROVED
	DATE


CITY OF ELK GROVE - PUBLIC WORKS

**INLET PIPE HEADWALL  
WINGWALL STRUCTURE**

(SHEET 2 OF 2)

APPROVED BY: \_\_\_\_\_

CITY ENGINEER



DRAWING NUMBER

**SD - 29.2**